

Brooklyn

L I V I N G M A D E E A S Y

RECHARGEABLE MINI FOOD CHOPPER

BMC-300



INSTRUCTION MANUAL

Please read this manual carefully before using, and keep it for future reference.

CONTENTS

General Safety	4
Product Overview	7
Operation Instruction	8
Cleaning and Maintenance	11
Troubleshooting	12
Food Suggestions	13
Specifications	14
Customer Support	Last Page

GENERAL SAFETY

Read this manual thoroughly before you start using the chopper.

Store this manual, the completed warranty card, your receipt and the product packaging. The safety precautions instructions reduces the risk of fire, electric shock and injury when correctly complied to.

Please follow all instructions and take notice of all warnings.

IMPORTANT INFORMATION

- Do not expose this product to rain or moisture.
- Do not temper or change or modify the product in any way.
- Only use Accessories outlined and recommended by the manufacturer.
- Please do not expose the product to splashing or water contact

- The apparatus shall not be exposed to dripping or splashing and no objects filled with liquids, such as vases, shall be placed on the product. Dry location use only.
- No naked flame source, such as candles, should be placed on the product.
- This appliance is not to be used by persons (including children) with reduced physical, sensor or mental capabilities, or lack of experience and knowledge, unless they have been given supervision or instruction.
Children being supervised not to play with the appliance.
- Do not place the base of the mini chopper into water to wash it. This product is not waterproof and will damage the product if not handled correctly.

GENERAL SAFETY (CONT.)

- If you notice any unusual odors or smoke around the unit, immediately turn off the device and contact the service center. Failure to do so may result in fire or electric shock.
- Please beware that Dust could accumulate over time on the unit and cause it to generate heat and or deteriorate insulation, which in turn may result in an electrical fire.
- To maintain the product do not use any chemical or cleaning agent or wet cloth, please only ensure to utilize a dry cloth to wipe it down from marks or dust and only after unplugging the product from the power socket.
- Please ensure to contact our call center for any repair or service required for the products.

Please make sure upon positioning this product, the place is:

- Not wet or damp and Well ventilated
- Away from direct sunlight or heaters.
- Away from splashes or food.
- Protected from excessive dust or grease.
- Do not place the Product near heat sources such as radiators, stoves or other audio visual equipment that produce heat.
- Do not place small metallic objects on top of the unit.
- Do not use or store flammable or combustible materials near the unit. Doing so may result in fire or explosion. Do not place any naked flame sources, such as lit candles, cigarettes or incense sticks on top of the product.

This appliance is intended to be used in household and similar applications as:

- staff kitchen areas in shops, offices and other working environments
 - farm houses
 - by clients in hotels, motels and other residential type environments
 - bed and breakfast type environments
-
- Switch off the appliance and disconnect from supply before changing accessories or approaching that move in use.
 - Be careful if hot liquid is poured into the mini chopper as it can be ejected out of the appliance due to a sudden steaming.
 - Warn of potential injury from misuse

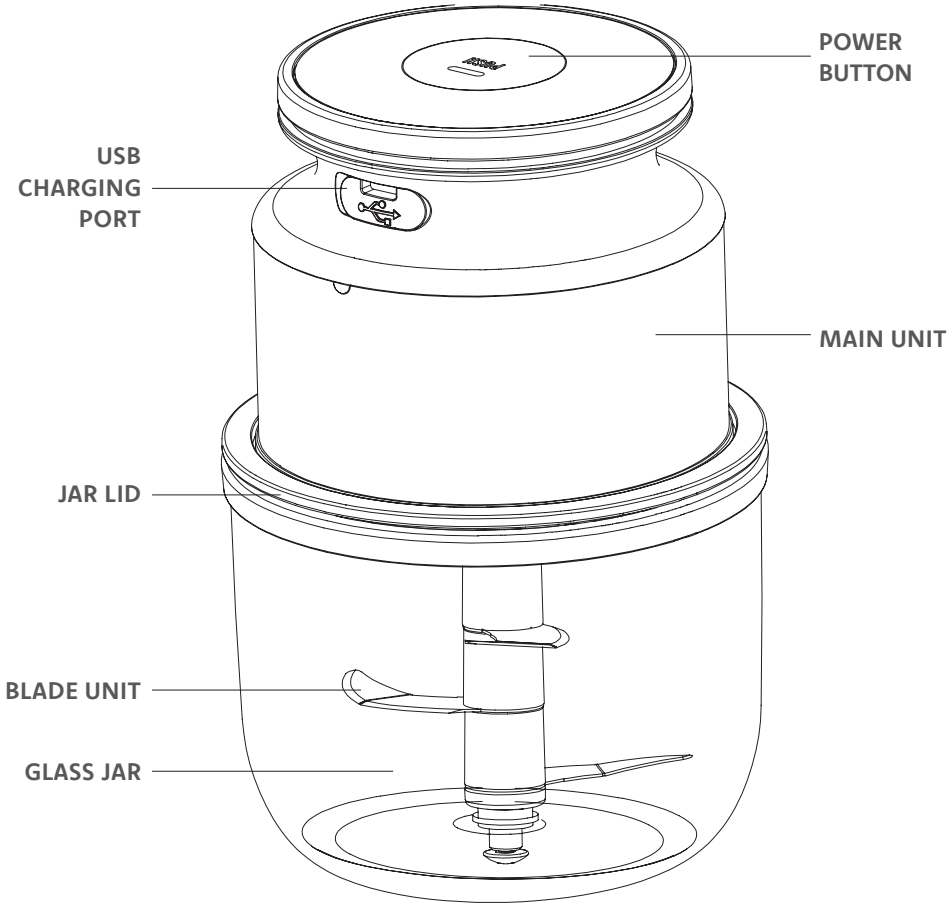
GENERAL SAFETY (CONT.)

- Fully charge this product before first use.
- Make sure the blade unit is installed in place properly and runs smoothly, before any food is put in this product.
- DO NOT scratch this product with anything sharp.
- It is strictly prohibited to overload this product.
- DO NOT heat up this product in a microwave oven or freeze it in a refrigerator, otherwise this product will break.
- DO NOT use this product to crush hard food such as coffee beans, rice, beans, ice cubes or frozen food.
- When this product is working, it's strictly prohibited to touch any of its detachable parts such as blades, motors, etc., in order to avoid injury or damage to this product.
- This product won't work continuously for more than 30 seconds.
- The blades are very sharp. DO NOT touch them with naked fingers during installation, cleaning, etc. Hold the plastic pillar of the blade unit when you are doing so.
- DO NOT use steel wool, abrasive cleaners or aggressive liquids (such as gasoline or acetone) to clean this product. The bottom of the main body can be quickly rinsed with clean water at a slanted angle (DO NOT wet the push button part). DO NOT dip the main body in water.
- DO NOT leave any part of this product being washed in the dishwasher.
- This product is only suitable for personal or household use, not for commercial use.

WARNING

- Make sure children do not use this product.
- DO NOT let persons (including children) who are physically impaired, feel or mentally impaired, or lack of relevant experience and knowledge use or play with this product.
- When unscrewing the container from the Body from the Glass bowl, make sure to place the base with the blades in a safe area, out of reach from person(s) or children.
The blades are sharp and will cause harm if not handled carefully.
- The Body of product is separate from the Glass bowl with blades.

PRODUCT OVERVIEW

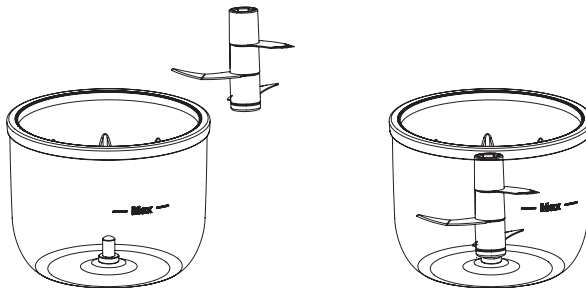


OPERATION INSTRUCTION

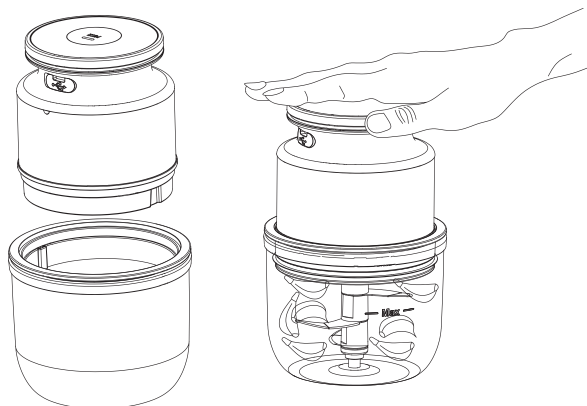
Note:

- Fully charge this product before using it for the first time.
When fully charged, indicator light lights up constant in blue.
- Wash the blade unit, jar lid and glass jar before use.

1. Install the blade unit onto the shaft at the bottom of the jar, then place clean food into the jar (DO NOT fill to above the Max level indicated on the jar)



2. After placing in the food, place on the jar lid, and place on the main unit (align the grooves on the base of the main unit with the ribs on the jar lid). Indicator light blinks in blue for 5 times.
3. Press Push Button to start chopping. If the jar is overfilled, the blades will not turn; if this happens, please take out part of the food then press Push Button again.
4. After chopping, take off the main unit and the jar lid, and carefully remove the

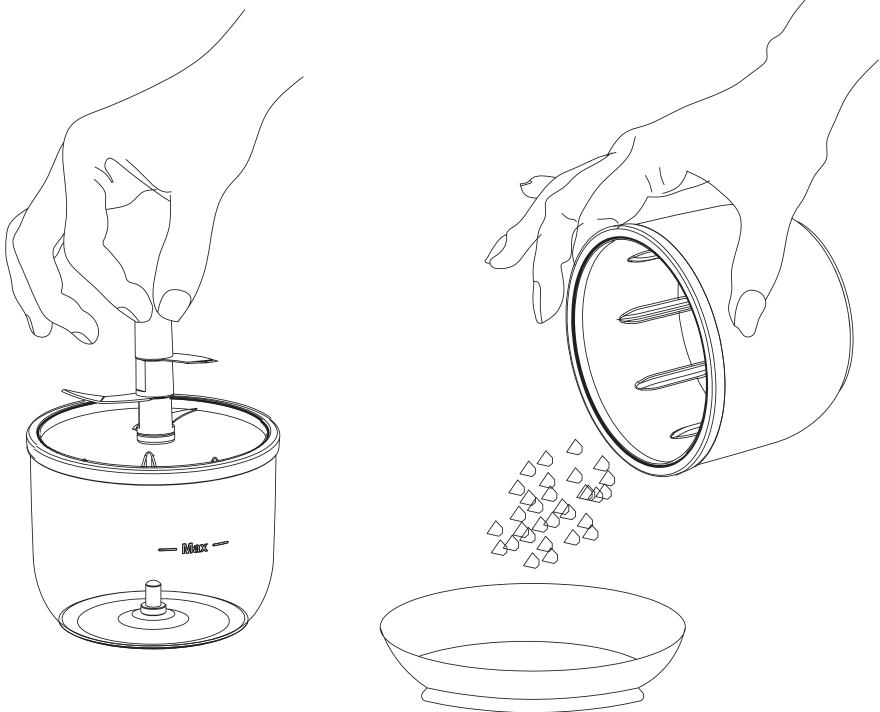


OPERATION INSTRUCTION (Cont.)

Note:

- The maximum duration per use is 30 seconds. If user long-presses Push Button for more than 30 seconds, the product will automatically stop after 30 seconds.
- If user requires the food to be chopped even more finely, please long-press Push Button again.

blade unit before pouring out the food.



OPERATION INSTRUCTION

Indicator Lights Explained

INDICATOR LIGHT	STATUS
Lights up constant in red	Charging
Lights up constant in blue	Fully charged
Blinks in blue for 5 times	Motor and blade engaged (When the main unit is properly fitted onto the jar lid)
Blinks alternately in blue and red for 10 times	Motor and blade not engaged (When the main unit is not properly fitted onto the jar lid)
Lights up 30 seconds in blue	In use (When Push Button is pressed)
Lights up in red for 3 seconds	Low battery

Note:

This product is designed to work in short spurts of no more than 30 seconds each.

CLEANING AND MAINTENANCE

WARNING!

- This product must be unplugged from the power source and blade unit must be detached from the main unit before cleaning and maintenance.
- DO NOT immerse or directly rinse main unit with water.

1. Please clean the main unit, blade unit and glass jar promptly after use.
2. The bottom of the main body can be quickly rinsed with clean water at a slanted angle (DO NOT wet the push button part), or wiped clean with a warm soft cloth.
3. Glass jar, jar lid and blade unit can be washed with soft cloth and water diluted with detergent. Use warm water for better result.
4. The blades are very sharp, DO NOT touch them with your hands. To avoid injury, the water used for washing the blades must be very clear so that you can see the blades clearly.
5. DO NOT use abrasive or corrosive cleansers to clean this product.
6. DO NOT sterilize this product and its accessories with high heat.
7. After cleaning, wipe dry or air dry the main unit and accessories completely (DO NOT touch the blade unit with your hand), reassemble and store away.
8. If this product will not be used for an extended period of time, please charge the battery every 3 months, this will help to prolong the battery life.

TROUBLESHOOTING

PROBLEM	INDICATOR LIGHT	POSSIBLE CAUSE	SOLUTION
Push Button is pressed but product does not start.	Indicator light blinks alternately in red and blue	Main unit is not properly attached to the glass jar	Attach main unit and glass jar properly
	Indicator light lights up in red for 3 seconds	Low battery	Charge the battery
	Indicator light lights up constant in blue	Motor is damaged or stuck	Turn the motor axle; if motor still will not turn, contact customer service.
Product cannot charge	Indicator light does not light up	Check if the USB cable is loose	Connect USB cable firmly or replace with a new cable
Motor emits a strange smell when using for the first few times	/	This is a normal phenomenon	If motor still smells after using for many time, contact customer service
Blades will not turn	/	Blades are entangled or jammed by food	Take off the main unit, take out the food and cut into smaller pieces, or chop the food in smaller batches

WARNING!

The above are the common fault analysis and troubleshooting methods. For other problems, please contact customer service centre. DO NOT disassemble and repair this product by yourself.

FOOD SUGGESTIONS

Below is a chart shows the suggested size of foods processed in the chopper.

INGREDIENT	SIZE	SUGGESTED TIME
2/3 cup walnut halves or pistachio	Whole	About 10 seconds for a rough chop
4 sandwich cookies	Broken into pieces	About 10 seconds for a finer chop
2 large graham crackers	Broken into pieces	About 20 seconds
3 cloves peeled garlic	Whole	About 10 seconds for a rough chop
2-inch piece peeled ginger	Cut into 1/2-inch pieces	About 20 seconds for a finer chop
1/2 small onion	Cut into 1/2-inch pieces	About 10 seconds for a rough chop (pulsing helps)
3 small stalks celery	Cut into 1-inch pieces	About 10 seconds for a rough chop (pulsing helps)
3 small stalks peeled carrots	Cut into 1/2-inch pieces	About 10 seconds for a rough chop (pulsing helps)
2 jalapenos	Cut into 1-inch pieces	About 10 seconds for a finer chop
2/3 cup pitted olives	Whole	About 10 seconds for a medium-fine chop

SPECIFICATIONS

Input	DC 5V 1A
Li-ion Battery	3.7VDC 1500mAh
Max Duration for each use	30 seconds
Weights	Net: 0.66kg / Gross: 0.75kg
Dimensions	100 (w) x 100 (d) x 155 (h) mm

Brooklyn

L I V I N G M A D E E A S Y

CUSTOMER HELPLINE:

info@ayonz.com

DISTRIBUTED BY:

Ayonz Pty Ltd